

# User Manual

## Easy as ① ② ③

### Assembly Instructions

Numbers Must Match for Secure Assembly

① ② ③ & ④

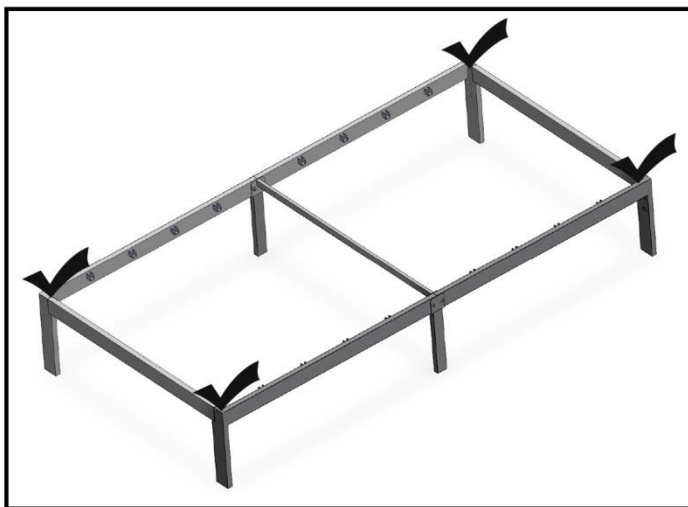
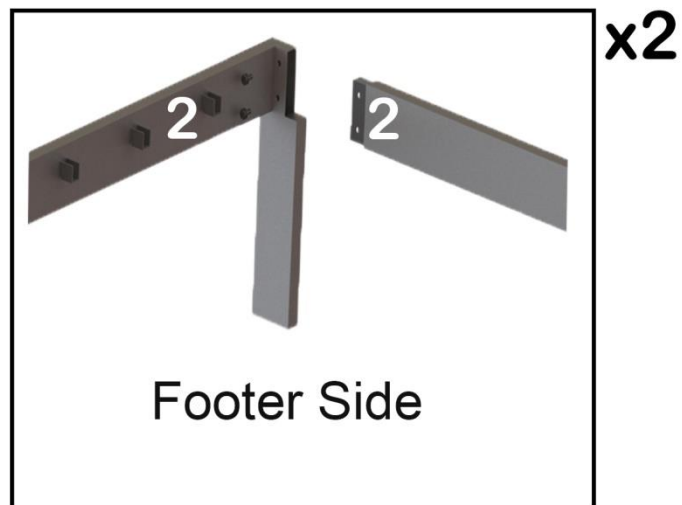
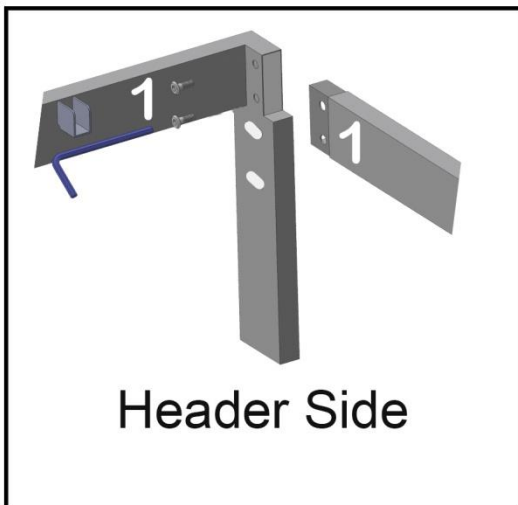
**TWIN**



**Metal Frame Bed**

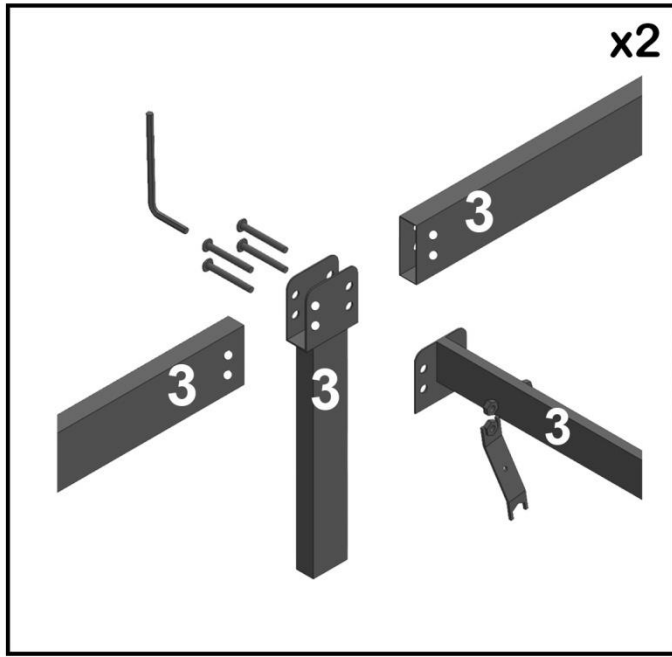
Available in Twin, Full, Queen and King sizes  
(with & without headboard)

#### Step 1 & 2 (Connecting Side Rails with clamp bars)



1. To connect side rails with clamp bars you need to match number stickers 1-1 (Header Side) and 2-2 (Footer Side).
2. Please use small screws (S) to connect all four corners of your bed frame.
3. Use allen key clock wise to tighten these screws.

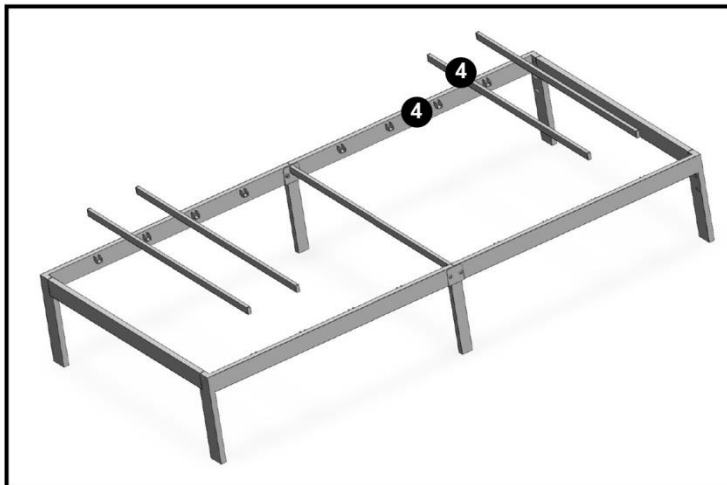
### Step 3 (Connecting Side Rails, middle leg & middle slat)



1. To connect side rails, middle leg & middle slat you need to match number stickers 3-3.
2. Please use large screw (L) along with nuts to connect all four parts.
3. Use allen key clock wise to tighten these screws and use spanner to hold the nuts.
4. Use same method to connect other side of middle slat.

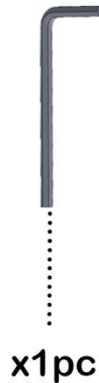
### Step 4 (Placing slats on your bed frame)

1. Place remaining slats on the brackets given on side rails matching the number stickers 4-4.



2. Peel off the upper strip of anti-skid tape and place your mattress.
3. Your bed frame is now ready for a good night sleep.

# Components



# SCAN ME

## Easy to-follow assembly video



### Return Policy

**FIRSTHOMES is committed to deliver a quality product and bring happiness home at a reasonable cost however, for some reason if you wish to return your product, please give us a chance before you decide to return your product. We can answer most concerns and assist you with any questions you may have about your product.**

**Please drop us an email at [support@firsthomesglobal.com](mailto:support@firsthomesglobal.com) or submit a request at <https://firsthomesglobal.com/contact/>**

**The item must be returned in good condition, in original box, with all original proof of purchase, parts and accessories, with in the time frame specified by the retailer or online platforms it was purchased from.**

**Please visit [www.firsthomesglobal.com](http://www.firsthomesglobal.com) for warranty information on your new product.**